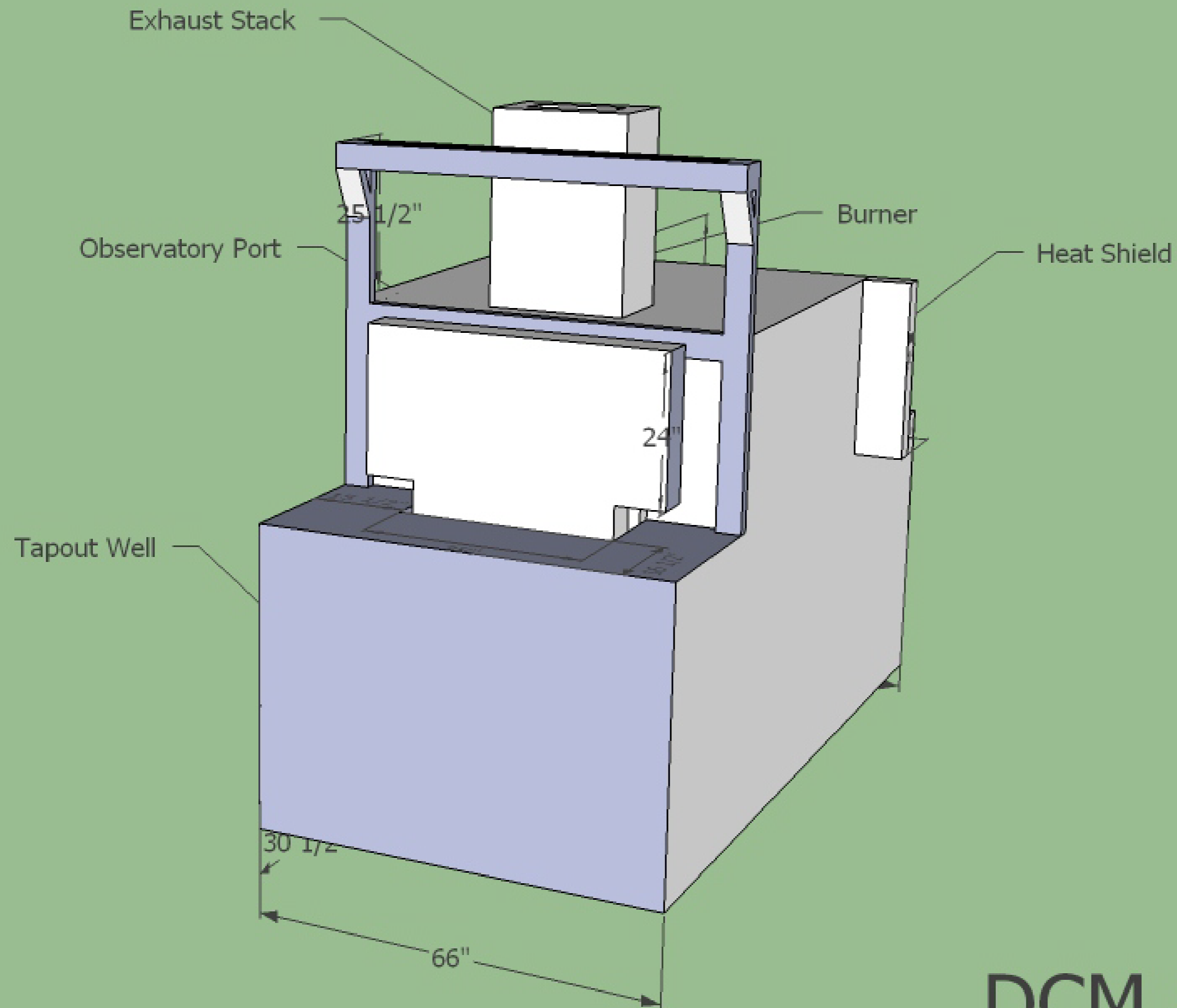
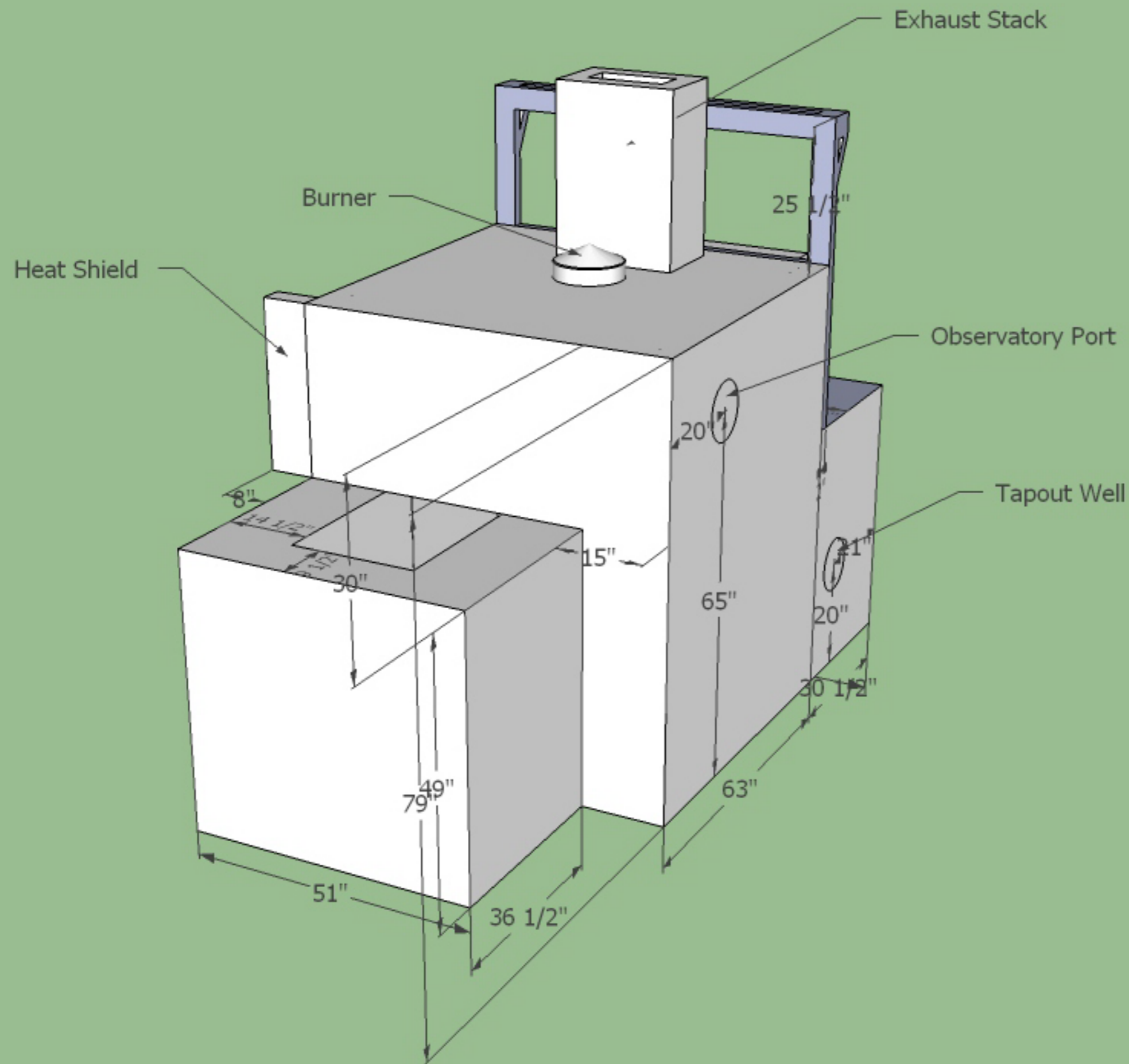


DCM # 3024  
"All dimensions are approximate"



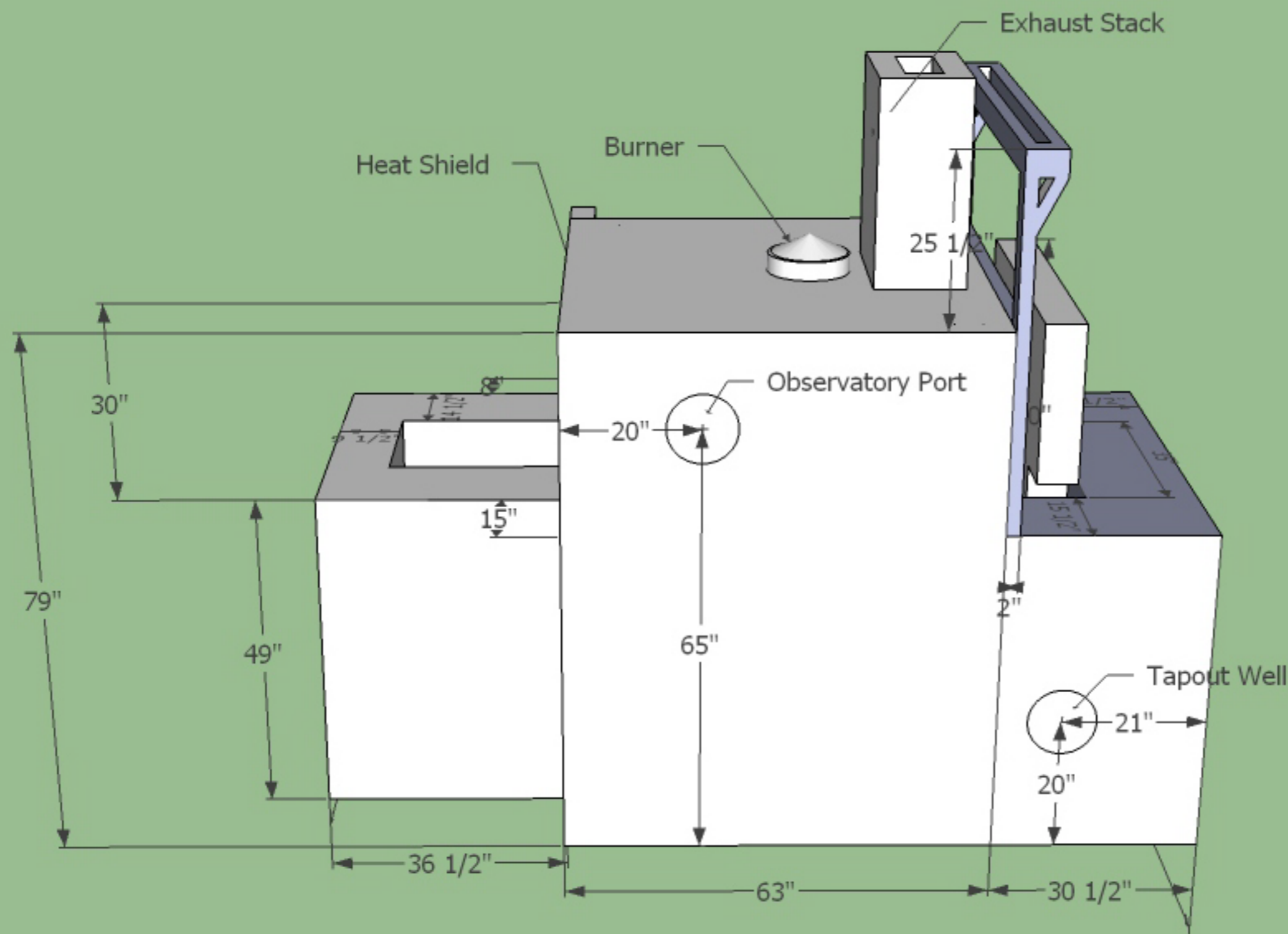
DCM # 3024

"All dimensions are approximate"



DCM # 3024

"All dimensions are approximate"



DCM # 3024

"All dimensions are approximate"